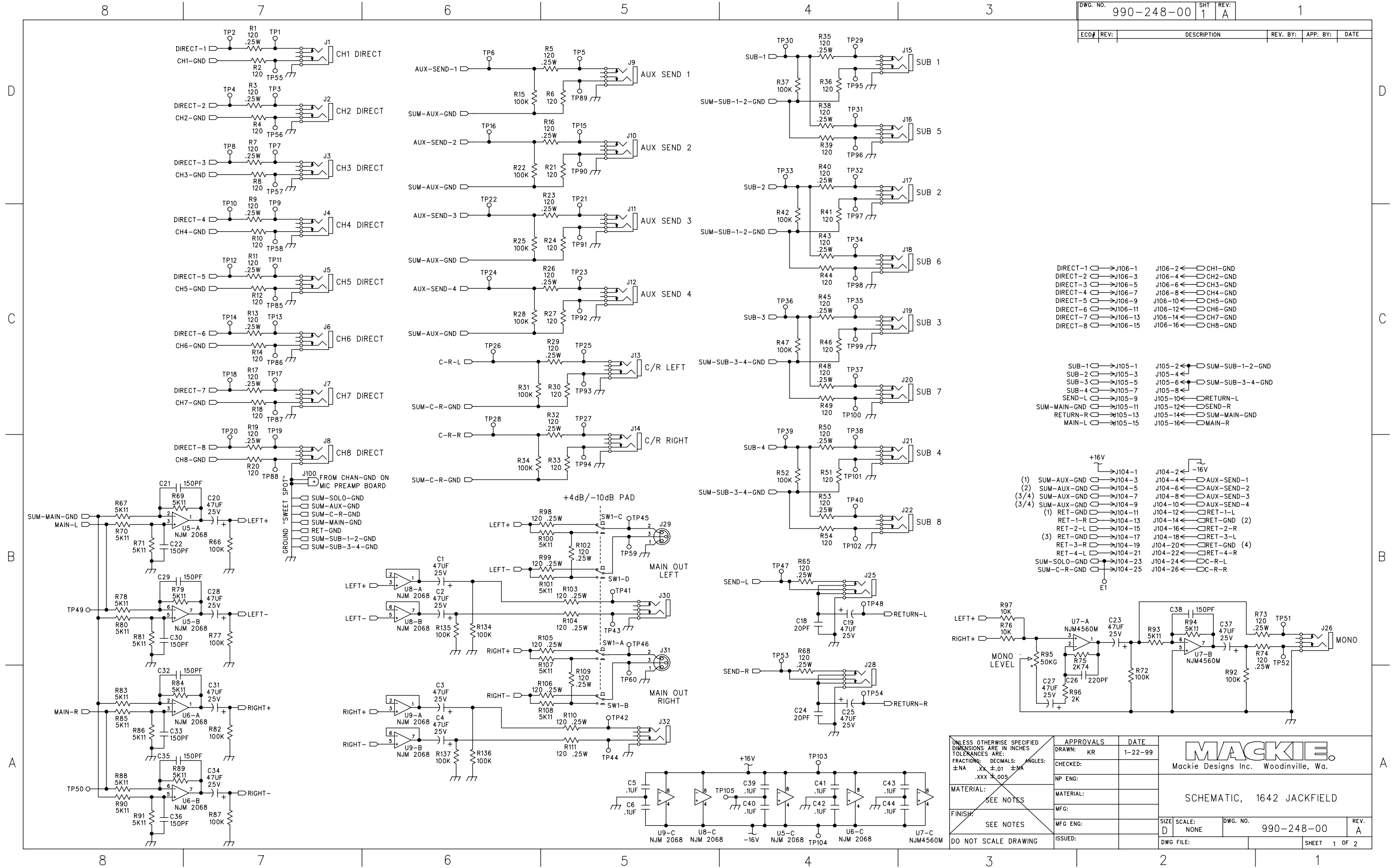


ECO#	REV.	DESCRIPTION	REV. BY:	APP. BY:	DATE

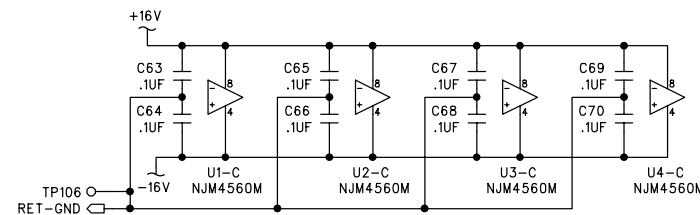
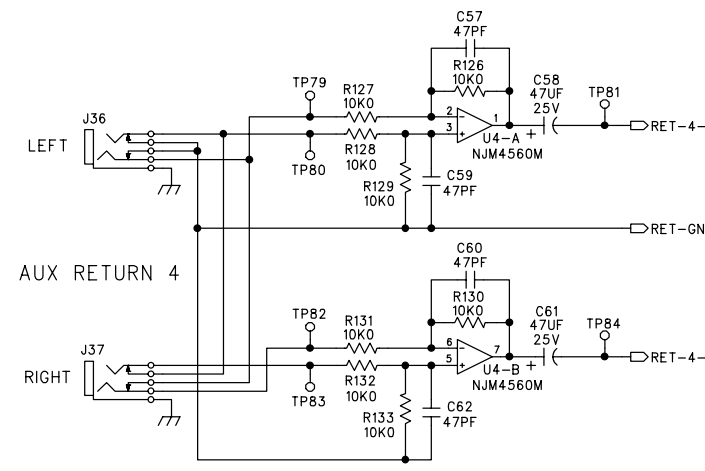
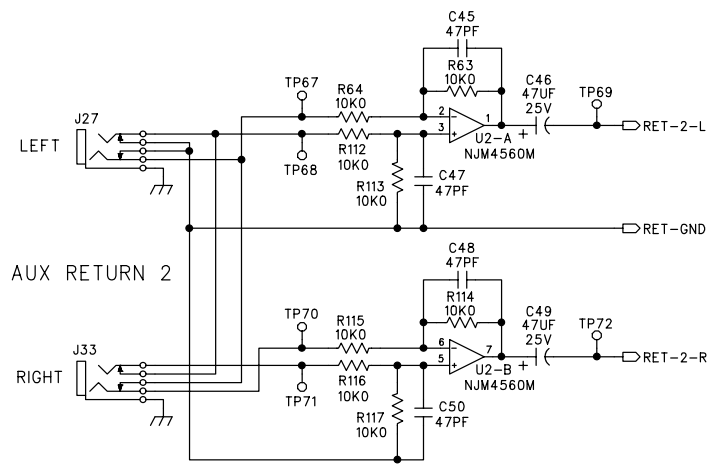
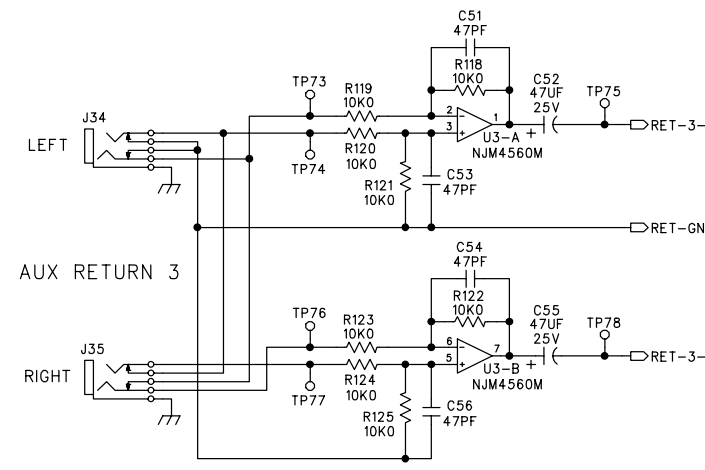
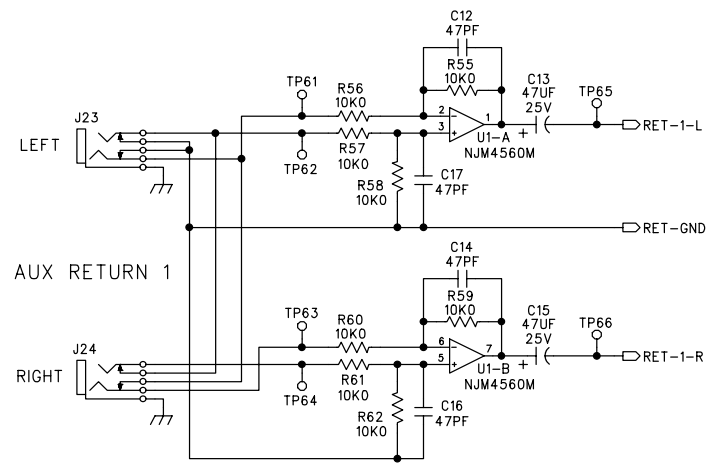


UNLESS OTHERWISE SPECIFIED DIMENSIONS ARE IN INCHES TOLERANCES ARE:	APPROVALS		DATE
	DRAWN:	CR	1-22-99
FRACTIONS: DECIMALS: ANGLES:	CHECKED:		
MATERIAL:	NP ENG:		
FINISH:	MATERIAL:		
DO NOT SCALE DRAWING	MFG:		
	MFG ENG:		
	ISSUED:		

MACKIE
Mackie Designs Inc. Woodinville, Wa.

SCHEMATIC, 1642 JACKFIELD

SIZE	SCALE: NONE	DWG. NO. 990-248-00	REV. A
DWG FILE:			SHEET 1 OF 2



- 450-248-00 PCB, 1642 JACKFIELD
- 760-150-00 EXTENDER, BUTTON SQ CORE, .450

UNLESS OTHERWISE SPECIFIED DIMENSIONS ARE IN INCHES TOLERANCES ARE: FRACTIONS: DECIMALS: ANGLES: ±NA .XX ±.01 ±MA .XXX ±.005	APPROVALS	DATE	
	CHECKED:		
	NP ENG:		
	MATERIAL:		
SEE NOTES	MATERIAL:		SCHEMATIC, 1642 JACKFIELD
SEE NOTES	MFG:		
SEE NOTES	MFG ENG:		
DO NOT SCALE DRAWING	ISSUED:		
			SIZE: D SCALE: NONE DWG. NO. 990-248-00 REV. A DWG FILE: SHEET 2 OF 2

